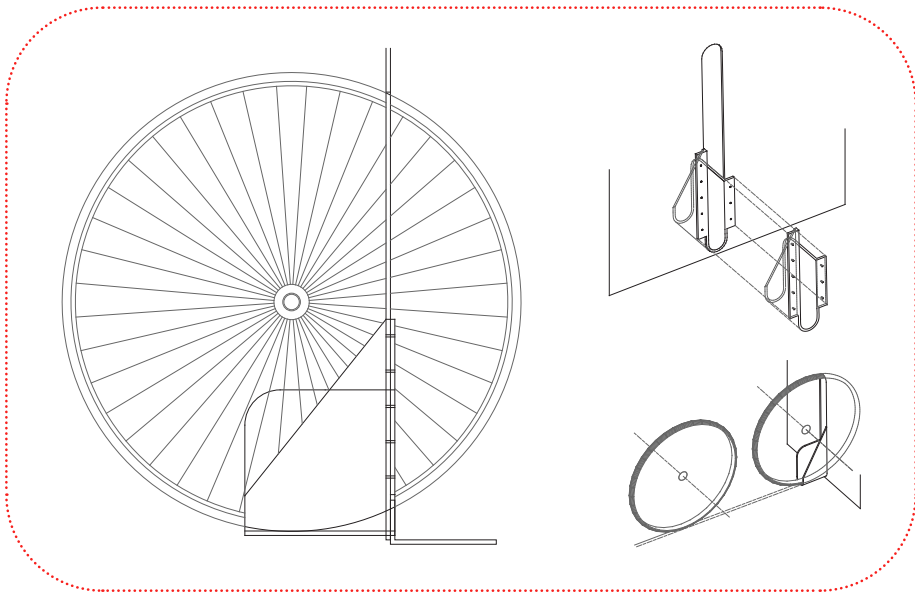
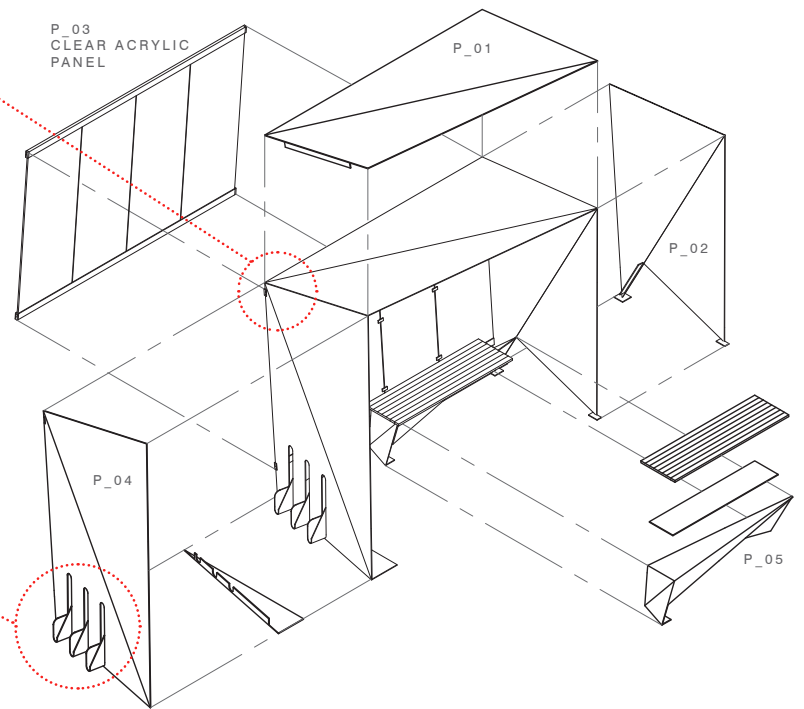


CORNER DETAIL STUDY



BIKE RACK DETAIL STUDY



DETAIL REFINEMENT STUDY

